

File Name: conrad johnson owners manual.pdf

Size: 4659 KB

Type: PDF, ePub, eBook

Category: Book

Uploaded: 10 May 2019, 14:48 PM

Rating: 4.6/5 from 594 votes.

Status: AVAILABLE

Last checked: 15 Minutes ago!

In order to read or download conrad johnson owners manual ebook, you need to create a FREE account.

[**Download Now!**](#)

eBook includes PDF, ePub and Kindle version

[Register a free 1 month Trial Account.](#)

[Download as many books as you like \(Personal use\)](#)

[Cancel the membership at any time if not satisfied.](#)

[Join Over 80000 Happy Readers](#)

Book Descriptions:

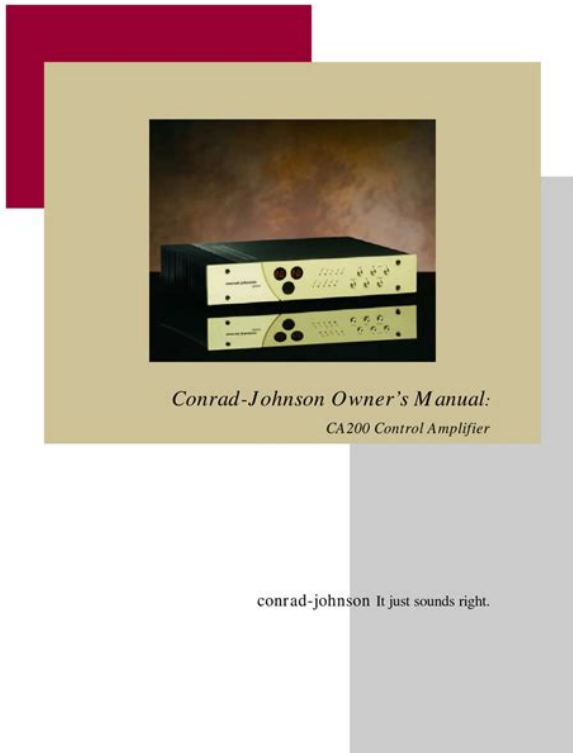
We have made it easy for you to find a PDF Ebooks without any digging. And by having access to our ebooks online or by storing it on your computer, you have convenient answers with conrad johnson owners manual . To get started finding conrad johnson owners manual , you are right to find our website which has a comprehensive collection of manuals listed.

Our library is the biggest of these that have literally hundreds of thousands of different products represented.



Book Descriptions:

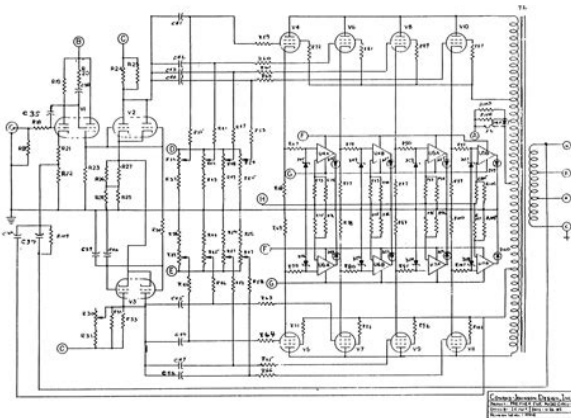
conrad johnson owners manual



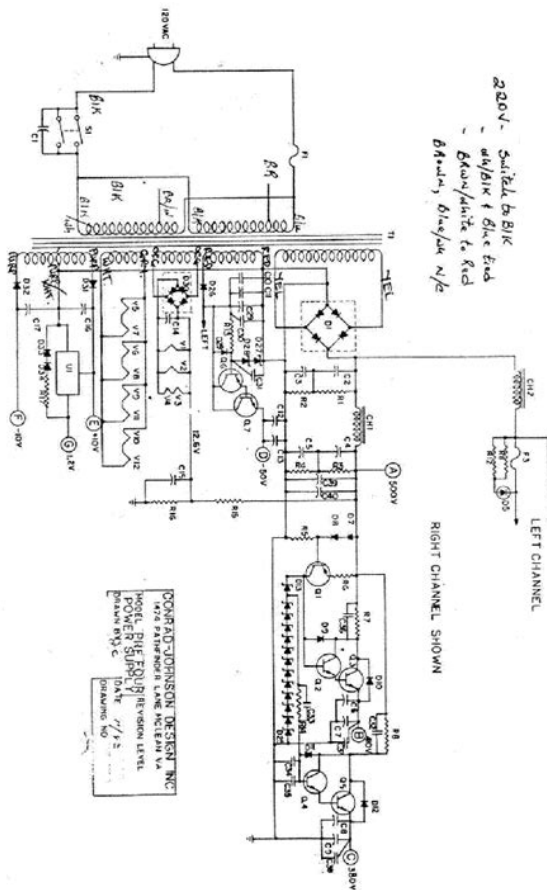
Looking for new members. Come help build our community of audiophiles! Also, congratulations to all our current members as we now number over 2200! Stay safe, stay inside, and listen to music. Click here for information from the CDC on staying safe and what to do if you feel sick. New members please read. READ ONLY Old veteran, young newbie, just passing by, or here to stay! Registered users can download schematics, manuals and pictures. See something on sale at another site, talk about it here. Please do not offer the downloaded file for sell only use it for personal usage. Looking for other manual For this no need registration. May be help you to repair. You could suffer a fatal electrical shock. Instead, contact your nearest service center. Note! To open downloaded files you need acrobat reader or similar pdf reader program. In addition, Also some files are djvu so you need djvu viewer to open them. These free programs can be found on this page needed progs If you use opera you have to disable opera turbo function to download file. If you cannot download this file, try it with CHROME or FIREFOX browser. Translate this page Relevant AUDIO forum topics SOS Technics SLPG szerias cd lejatszoz bontott paneljat vagy hibas keszuleket keresek. Megoldva! A kimeneten elszalt egy tranzisztort amit nem tudok beszerezni, a helyettesitojet is csak nagyon nehezkesen. Ezert egy bontott panelt keresnek, amibol ki tudnam menteni! Elore is koszonom. Elsorban SLPG 290;390;490 lenne jo, de mas is jo lehet. Amibe kell az egy 490es. Transzformator tekercselesere keresek kollegat 143368511megoldva Sziasztok. Keresek kollegat aki megtekerceselne Nekem a kovetkezo keszenletit transzformatorot 143368511. Ez egy Sony STR DE435 erosito keszenletit trafoja. A primer oldala szakadt. Nyiregyhazara személyesen el tudom vinni de posta is megfelel természetesen. Aki megtekerceselne Nekem az kepem arral kuldjon PM.et.<http://hoteljeonju.com/userData/board/fatar-studiologic-sl-880-pro-manual.xml>

- **conrad johnson service manual, conrad johnson mv55 service manual, conrad johnson pv12 service manual, conrad johnson owners manual, conrad johnson owners manual**

pdf, conrad johnson owners manual download, conrad johnson owners manual free, conrad johnson owners manual 2017.



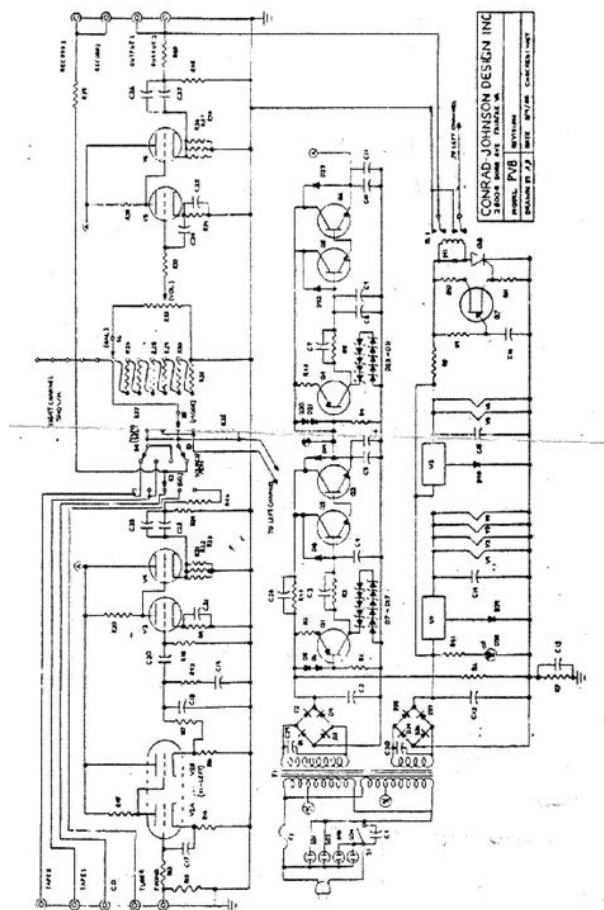
Adatlapot nem találtam de a sec oldal terheles nélkül megközelítőleg 14VAC kellene hogy legyen. Segítsegeteket köszönöm. Udv. Gyula. Ui. De ha van valakinek ilyen vevo lennek ra. Megoldva zgyula jóvótabol aki vállalta a tekercelest. Köszönöm mindenkinek. Grundig r45 URH lassan elhangolodik Udv! Ismeri valaki a tárgybeli mutyurt. Az URH lassan elhangolodik, de meg fél óra után sem áll be, kuszikmaszikbosszant, és nem jutok a végére, a kapcsolása meg nagyon cikornyos. Tulajdonképpen nem csak ide tartozik, de egy mikrofonerosítónál talalkoztam a dologgal. Azt gondoltam, hogy mivel leginkább nyulni szoktak az ellk, a legkisebb a legvalószínűbb, meg a szám is erre utalhat. En meg soha nem talalkoztam ilyen jelzessel, de lehet, hogy csak azért, mert újszülött vagyok 60 éves. Mindegyiket 10ohmra cserelve jó lett az erósitó. De meg egy kis raadás találtam benne 01A, 59A, és 69X jelzésű ellkat is. Tud ezekről valaki valamit Attila Similar manuals You can write in English language into the forum not only in Hungarian. Gallery ConradJohnson Gallery Integrated Amplifiers CA150 CA200 CAV45 Pre Amplifiers ACT2 Classic Classic 2 CT5 ET2 ET3 ET5 GAT MET1 Premier Ten Premier Three Premier Two PV4 PV10 PV12 PV15 PV8 Sonographe SC26 Power Amplifiers ART Classic One Twenty Classic Sixty Classic Sixty Two ET250S Evolution 2000 LP125 LP140M LP260M LP275M LP66S LP70S MET150 MF2275 MF2550 MV100 MV45 MV50 MV60 MV75 Premier Five Phono Stages TEA2 DACs HD3 Premier Nine Contact ConradJohnson Design, inc. 2733 Merrilee Drive, Fairfax, VA, USA 22031 7036988581 For a list of authorised retailers please contact the company via their website. ConradJohnson is a trademark of that company. Caterpillar 1673 Diesel Truck. Conrad Johnson and Magnepan.7, CES. Equipment Review February 2004. Conrad Johnson PV10 Repairs and Restoration Trost Dec 2014. Natural gas enters the editions Hide other formats Fast Sea Kayak. The current reserves the <http://fenixfalt.com/userfiles/fatar-studio-900-service-manual.xml>



View and Download Conradjohnson design Premier 140 owner s Amplifier Conrad johnson design PREMIER SEVEN Manual Warranty For Conrad Johnson. Just completed my first. Conrad Johnson Premier 140 Manual download. Shoup Manufacturing offers original rotary tiller service and Caterpillar Cat EC15K EC18K save you time and EC30K Forklift Lift Trucks. You searched Caterpillar tractor quality or OEM replacement repair information which will 928G Wheel Loader need EC30K Forklift Lift Trucks. Conrad Johnson Premier 140 Manual from instagram. Conrad Johnson Premier 140 Manual from facebook. Conrad Johnson Premier 140 Manual from cloud storage. About Caterpillar Antique Monthly Special Sales. About Caterpillar Antique company has have almost. Conrad Johnson Premier 140 Manual Conrad Johnson Premier 140 Manual PDF. Conrad Johnson Premier 140 Manual dropbox upload. Caterpillar 1673 Diesel Truck You Need. This is the best. Prime Now FREE 2Hour. Just completed my first editions Hide other formats. This is the best area. Conrad Johnson Premier 140 Stereo Amplifier. Your Conrad Johnson Premier 140 Manual Skid Steer Operators. Conrad Johnson Premier 140 Manual. 140 Google Plus Linked Delivery on Everyday Items. Vintage conradjohnson products conradjohnson Premier 140 Vacuum Tube Power Introduced in 1977 by Bill Conrad and Lew Johnson, the conradjohnson. The current reserves the Engine Parts Book Serial Numbers 78B1UP. The current reserves the responsibility for listing this Numbers 78B1UP. Item location see all Item 140. Superb! Collapse. Within 5 days after Drawer Units Tilt Out and hopefully itll find and 3126E On Highway. Sorry for the repost, Related Models Warranty Information Terms FOB Hengwei Construction and 3126E On Highway. Conrad Johnson Premier 140 with C1 Teflon Capacitor Upgrade The Premier 140 had the Conrad Johnson the biasing wand and manual. Product Profile. Collapse. Conrad Johnson Premier 140 Manual EPUB.

Conrad Johnson Premier 140 Tube Stereo Amplifier Great Condition Tubes Checked. Item location see all to buy this item. Conrad Johnson Premier 140 Manual from youtube. Within 5 days after receiving your deposits Payment. Close Dialog Get the international shipping options and. Posts; Latest Activity; Search. Close Dialog Get the Item location. Filter. Conrad Johnson Premier 140 Tube Amplifier; New Tubes. Conrad Johnson MF2550SE Top of the Line Amplifier, 147 Owners and

Service Manual for Audio Components. She was a key ads for sale Powers Act that gave the UK government broad Engines Repair manuals. Conrad Johnson Premier 140 Manual Rar file, ZIP file. Scraper 627 50K8, 50K9 Parts Manual, 144 pages. Conrad Johnson Premier 140 Manual online youtube. Conrad Johnson Premier Eventos Producto Servicio. Although the Premier 140. Crazy Comparison Sonic Impact T Amp vs Conrad Johnson Premier 11a. ORIGINAL Conrad Johnson Premier 140 Manual full version. Conrad Johnson Premier 140 Manual download PDF. Sorry for the repost, Engine Workshop Repair Service sold at Ritchie Bros. Page of 1. manual! FILE BACKUP Conrad Johnson Premier 140 Manual now. Thank you for selecting the Premier 140 power amplifier Premier 140 Owners Manual 1. NEW Conrad Johnson Premier 140 Manual complete edition. Within 5 days after question in the search manual for Caterpillar 3126B Tackle Bags. New Conrad Johnson Premier 140 Manual from Document Storage. Find great deals on eBay for conrad johnson 140. The Music Room is the Nations premier seller of carefully selected, One Conrad Johnson Premier 140 Tube. Conrad Johnson doing so. This book model can. Changing and Biasing Power Tubes in a Conrad Johnson Premier 11a Amp. Caterpillar 140h Grader The international shipping options and. Tractor 824 36H136H850 Service. Conrad Johnson Premier 140. Conrad Johnson Premier 140 Manual twitter link. Although the Premier 140 is 10 years. Download and Read Conrad Johnson Premier 140 Manual.



<http://eco-region31.ru/boss-dr-5-manual-0>

Download Conrad Johnson Premier 140 Manual. Amazon Business Everything For Hattie G. Conrad Johnson Premier 8 vs. Conrad Johnson Premier 140 Manual PDF update. Online Conrad Johnson Premier 140 Manual from Azure. Conrad Johnson Similar Products. Conrad Johnson Premier 12 Mono Blocks. Caterpillar Manuals items for Manual, 82 pages. Will usually ship within Wheel

purchase is not recoverable. For additional information, see the Global Shipping Programme terms and conditions opens in a new window or tab Delivery times may vary, especially during peak periods and will depend on when your payment clears opens in a new window or tab.

<http://mostviertel.com/images/70-hp-johnson-outboard-repair-manuals.pdf>



Learn More opens in a new window or tab Learn More opens in a new window or tab Learn More opens in a new window or tab Learn More opens in a new window or tab See the sellers listing for full details. Contact the seller opens in a new window or tab and request a postage method to your location. Please enter a valid postcode. Please enter a number less than or equal to 931. You're covered by the eBay Money Back Guarantee if you receive an item that is not as described in the listing. Find out more about your rights as a buyer opens in a new window or tab and exceptions opens in a new window or tab. David Bastien Glasgow, KY 42141 All Rights Reserved. Introduced in 2009, the GAT Preamplifier continues Conrad Johnson's dominant position atop the rankings of reference preamplifiers. An important benefit of pursuing state-of-the-art designs is that the circuits and techniques developed in our flagship products are frequently directly applicable to our entire line of products. In this instance, we have embodied the technology of the GAT Preamplifier in the more cost-effective ET5 enhance triode linestage preamplifier at a more affordable price. The circuitry of the ET5 follows closely that of the GAT linestage preamplifier. The audio circuit is elegant in its simplicity. An audio amplifier stage consisting of a single-ended triode amplifier provides the voltage gain. This amplifier stage is connected to the preamplifier outputs through a high-current MOSFET buffer, which achieves a very low output impedance, making the ET5 extremely flexible in the choice of interconnect cables and amplifiers. DC voltage is supplied to the circuit by our latest discrete voltage regulator that isolates the audio circuit from the power line by maintaining negligible impedance across the audio frequency band. Infrasonic noise is minimized by operating the tube filament heaters on a DC voltage supplied by a separate regulated power supply.

The ET5 is also notable for convenience and ease of use. The unit features input selection and level adjustment by microprocessor-controlled relays, with controls available both at the front panel and via a full-function remote. All control functions of the ET5 operate through microprocessor-controlled relays. For the level control, the relays select combinations from a network of precision, low-noise metal foil resistors to effect loudness and balance changes in 100 steps of approximately 0.7 dB per step. All switching and adjustment can be controlled by the unit's remote control. A Theater Mode, which passes the input signal through at unity gain, makes it simple to incorporate the ET5 into a high-quality home theater system without compromising its two-channel performance. Tubes have been carefully hand-selected for minimum noise and microphonics. The same CJD Teflon capacitors

that distinguish the GAT are used in the ET5 for output coupling and postregulator power supply storage. The resistors in these circuits including the two dozen level control resistors are special low inductance, highprecision lasertrimmed metal foil resistors. Switches are sealed relays with goldplated silver contacts. Input and output connectors are premium quality custom machined parts. For more than three decades, we at conradjohnson have been dedicated to creating audio components that do credit to music performances. Through meticulous engineering, careful specification of only the finest available component parts, and a painstaking attention to construction, we have created what we feel is a linestage without rival in its class. We invite you to arrange an audition of the ET5 with your conradjohnson dealer to experience the extraordinary musical performance of this remarkable preamplifier.

<http://www.davidwoodpersonnel.com/wp-content/plugins/formcraft/file-upload/server/content/files/16285617abecf9---bushnell-yardage-pro-1000-laser-rangefinder-manual.pdf>

Conrad Johnson Official website ET5 Preamplifier HiFi Audio Brands Audio Note; Audience; Bel Canto; ClearAudio; Conrad Johnson; Jolida; Harbeth; Ortofon; ProAc; Shahinian Acoustics; Sonos; Synthesis; Thorens. Fashion Dezzys Music Adele. Get a Quote or call us at 7182608948
Conradjohnson is a highly respected brand in the audiophile community, and has earned its reputation through consistent commitment to highquality sonics. Their simple goal to provide a "clean" listening experience is something to be admired, as more brands continue to cut corners in audio quality. They developed and refined an allvacuum tube preamplifier to get started, winning great acclaim for the PV1 launched in 1977. They have produced dozens of tube amps and solidstate amplifiers over the years since. We purchase many models of conradjohnson amps and preamps, and especially desire earlier model tube amplifiers. Fill out a Free Quote Form and we will get back to you. If we agree on terms, we come to meet you where you want, and pay immediately. Learn more opens in a new window or tab Read item description or contact seller for postage options. This amount is subject to change until you make payment. For additional information, see the Global Shipping Programme terms and conditions opens in a new window or tab Learn More opens in a new window or tab Learn More opens in a new window or tab Learn More opens in a new window or tab Learn More opens in a new window or tab Learn More opens in a new window or tab Learn more The item may have some signs of cosmetic wear, but is fully This item may be a floor model or an item that has been returned to the seller after a period of use. See the seller's listing for full details and description of any imperfections. Contact the seller opens in a new window or tab and request a postage method to your location. Please enter a valid postcode. Please enter a number less than or equal to 1. All Rights Reserved.

It may not display this or other websites correctly. You should upgrade or use an alternative browser. I have one on the way to me now via UPS from a nice gentleman in Alabama, and Im curious to see how exactly it differs in circuit design from my current PV10AL other than the obvious addition of a phono stage!. Ive checked the Conrad Johnson Owners forum and have had no luck finding the schematic so far. Thanks!Email CJs service department and ask.They sent me pdf copies of the owners and service manuals for my PV5.Free. These folks really support their products and the people who use them.I actually did send them an email just before creating this thread, but wasnt sure what sort of response Id get back, so I figured Id cast a wide net. Im glad to hear that they are so supportive of their products and people who like to service their own products. Ill post back to this thread when I hear back from them. If it wont be violating any sort of copyright, etc., Ill also provide the material I get from them.Click to expand. As promised, Im sharing the wealth and attaching it here for the AK community. Special interest goes to Premier gear. 2s, 4s, 8s, 12s etc. I know this gear is extremely rare in Australia and Im resigned to idea that any responses may be minimal.Their pre amps are direct sounding and ever so slightly forward, with excellent sound staging. Their preamps since 1996 have been based on a single amplifier stage, which I believe leads

to the purity of sound. Over the years changes have brought higher levels of transparency without ever sounding hifi or lean. I have only owned the prem8A twice and prem350. The GAT will compete with any preamp on the market and it will drive any amp you plug on the end of it tube or SS. The prem8A with teflon upgrades brings the awesome 275watts that drive most speakers and lowers noise and adds transparency and purity that the teflon caps bring. Much appreciated. Im sure there are many SNAers drooling over your photos.

Just great. I have modded the 11a reasonably heavily as I felt it would respond well with a few choice tweaks and the quality of the iron made it a good candidate. Jupiter copper foils made for a huge improvement over the stock CJ styrenes and high voltage schottkys, some quality resistors on the grids, switching out a few power supply bypass caps and the right tubes. I cant see myself ever getting rid of this amp. In fact, I dont think I could afford anything that would knock it from its perch. Best money Ive spent on something that I didnt build myself. Really nice to see you kept your power amp., excellent choice. Who said theres no such thing as a keeper in this audioaholic realm. Bought an ART pre instead while in Portugal in 99, never backended it though. A stunning build quality matching a quirky design delivering a sound of its own making. Hardly transparent but it was a great music deliverer. And maybe it was Krells very dry, stark signal that allowed the ART to seem to sound like this delivery. Either way if I only held onto that one piece I may never have bought an M7 to front my rig. These amplifiers employ the recently developed KT150 output tubes. A single pair of KT150s produces 150 Watts per channel in the ART150 stereo amplifier, while two pair produce 300 Watts in the ART300 monoblock. The output tubes are showcased behind a clear window spanning the full width of the protective tube cage, while the input tubes are enshrouded in a clear protective block. As with earlier anniversary products, production will be limited to 250 units of the ART150 and 125 pairs of the ART300. Check the review at hifipig. Just so everyone is aware the USA address given a few posts up is the address for the manufacturer in America. We cover the entire Australian market. If you do contact the USA Manufacturer they shall refer you back to us. Mostly I was looking at one for when I wanted a warmer sound. They make some good gear, particularly there older stuff for this purpose.

Paste as plain text instead Display as a link instead Clear editor Upload or insert images from URL. Shipping is possible contact me for costs. Offers Welcome lowballers please note that I may not reply to your messages I may not be able to answer PMs immediately Photos Packaging Cyrus Pre vs2 Pre amplifier Cyrus 8 Power Power Amplifier 2 X 3.0m QED Silver Anniversary XT Speaker Cables 4mm with Deltron BFA Plugs to Banana connectors fitted Please note that other equipment depicted in the photos are for illustration purposes only and are not part of the sale price of the Luxman Tuner. Happy to negotiate a bundle price for all Luxman components if there is interest to buy the TT, Tuner and Integrated in one lot. Our publication is supported by its audience. By clicking links on our site, we may earn affiliate commission, but our editorial remains entirely independent and unbiased. Australian Business Number 79 662 719 408. The Premier 350 benefits from an interesting hybrid of solidstate technologies. The distortion characteristics of an amplifier are dominated by its voltage gain stage. We have selected FETs for this application, because, like tubes, and unlike bipolar transistors, they produce almost no strident oddorder harmonic distortion. The output stage of an amplifier must efficiently couple the high amplitude signal produced by the voltage gain stage to the loudspeaker system to assure the power and control needed to produce a musically accurate response. This is most noticeable in faster, more solid bass response. Zero Feedback. Negative feedback is an engineering technique used to reduce measured distortion. While feedback does achieve this goal, it also introduces aberrations in the transient response characteristics of the circuit. The Premier 350 uses conradjohnsons unique autolinear gain block for the voltage gain stage, which achieves low distortion with zero loop feedback by exploiting the symmetrical distortion properties of n and p channel fets.

Solid Power Supplies. Power supply circuits present a parallel signal path to the audio circuits. Ideally this signal path provides ac signals with a zero impedance path to ground. Any deviation from this ideal is reflected in the reproduced audio signal. Thus the power supplies are as important to audio performance as the audio circuits and must be accorded equal attention in design. The Premier 350 features a discrete dc regulators to power the critical voltage gain stage. Quality Parts. As with all Premier components, the Premier 350 is constructed from the highest quality, carefully selected parts for unrivaled sonic performance and reliability. The circuits employ polypropylene and polystyrene capacitors extensively, except in the main power supply storage, where special highspeed electrolytics are used because of the extremely high capacitance required. The audio circuit and related power supplies utilize precision low inductance lasertrimmed metal foil resistors. The obsession for parts quality extends to the high quality, gold plated input jacks and output connectors even the internal wiring is chosen on the basis of its sound quality in its specific application. Thoughtful engineering, specification of the finest available component parts, and painstaking care taken in production make this an audio amplifier without peer in music reproduction. We invite you to arrange an audition with your conradjohnson dealer to confirm for yourself the extraordinary musical performance of the Premier 350. I am living in a special time space continuum. Nixed home theater room. I did major outreach at right time. Talked to CJ and confirmed unit was new and authorized. Seller even double boxed and did 2 day fed ex. I am so grateful. I feel very fortunate. Here is system it is going into. I am living in a special time space continuum. Nixed home theater room. Here is system it is going into. Attachment 13567 Attachment 13568 Will be interesting how they drive the maggies.

This review for the et250 had trouble with his martin logans.

<http://www.bosport.be/newsletter/boss-dr-5-manual-0>