

Carrier weathermaker sx user manual

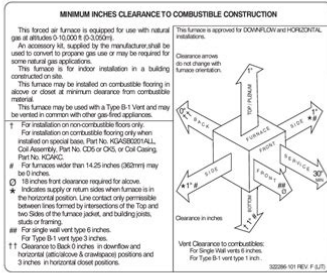


Fig. 2—Clearances to Combustibles

INTRODUCTION

The model 582AV Series 151 and 161 Furnaces are available in sizes 40,000 through 130,000 Btu input capacities.

The design of the downflow-horizontal gas-fired furnace is CSA (A.G.A. and C.S.A.) certified for natural and propane gases and for installation on noncombustible flooring. The furnace is factory-shipped for use with natural gas. A factory accessory gas conversion kit, as listed on the furnace rating plate is required to convert furnace for use with propane gas.

These furnaces **SHALL NOT** be installed directly on carpeting, tile, or any other combustible material other than wood flooring. In downflow installations, a factory accessory floor base, as listed on the furnace rating plate, **MUST** be used when installed on combustible materials and wood flooring. A factory base is not required when this furnace is installed on manufacturer's Cold Assembly Part No. C20 or C25, or when Cold Box Part No. K54C040 is used. This furnace is for installation in above, attic, crawlspace, basement, closet, or utility rooms. The design of this furnace line is met CSA (A.G.A. and C.G.A.) certified for installation in mobile homes, recreation vehicles, or outdoors.

Before installing the furnace in the United States, refer to the current edition of the NFPA and the NFPA 96B. For further information, the NFPA and NFPA 96B are available from National Fire Protection Association Inc., Batterymarch Park, Quincy, MA 02269 or the American Gas Association, 400 N. Capitol St., NW, Washington, DC 20001.

Before installing the furnace in Canada, refer to the current edition of the NSCNOPIC. For a copy of the NSCNOPIC, contact

Standard Sales, CSA International, 179 Rexdale Boulevard, Etobicoke (Toronto), Ontario, M9W 1R3, Canada.

Installation must comply with regulations of serving gas supplier and local building, heating, plumbing or other codes in effect in the area in which installation is made. In absence of local building codes, installation must conform with NFPA in the United States and the NSCNOPIC and all authorities having jurisdiction in Canada.

These instructions cover minimum requirements for a safe installation and conform to existing national standards and safety codes. In some instances, these instructions exceed certain local codes and ordinances, especially those that may not have kept pace with changing residential construction practices. We require these instructions as a minimum for a safe installation.

CAUTION

Application of this furnace should be indoors with special attention given to vent sizing and material, gas input rate, air temperature rise, and vent sizing. Improper installation or misapplication of the furnace can require excessive servicing or cause premature component failure.

NOTE: These furnaces are designed for a minimum continuous return-air temperature of 60°F or intermittent operation down to 55°F such as when used with a night setback thermostat. Return-air temperature must not exceed a maximum of 85°F. Failure to follow these return-air temperature limits may affect reliability of heat exchangers, motors, and controls.

File Name: Carrier weathermaker sx user manual.pdf
Size: 2246 KB
Type: PDF, ePub, eBook
Category: Book
Uploaded: 20 May 2019, 19:21 PM
Rating: 4.6/5 from 768 votes.

Download Now!

Please check the box below to proceed.

I'm not a robot

reCAPTCHA
Privacy - Terms

Book Descriptions:

Carrier weathermaker sx user manual

Save this Book to Read carrier weathermaker sx manual PDF eBook at our Online Library. Get carrier weathermaker sx manual PDF file for free from our online library.

CARRIER WEATHERMAKER SX MANUAL



TABLE OF CONTENT

- [Introduction](#)
- [Brief Description](#)
- [Main Topic](#)
- [Technical Note](#)
- [Appendix](#)
- [Glossary](#)

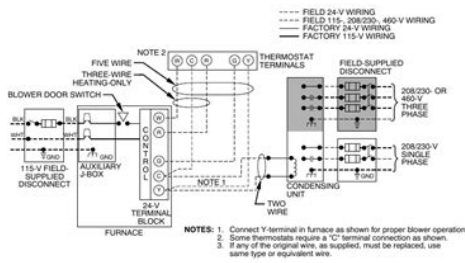
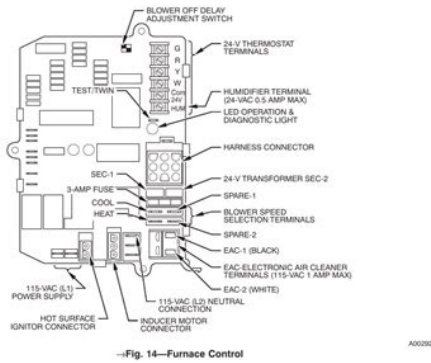
COPYRIGHT © 2015, ALL RIGHT RESERVED

PDF file carrier weathermaker sx manual

Page: 1

Page Count 3 Carrier Weathermaker 9200 58mxa120 20 PartsConditioners, Boilers Details of the Carrier line of oil and gas furnaces.Jan 22, 2008 I am quite frustrated with my Carrier Weathermaker 8000. Last year, I had aCarrier WEATHERMAKER 8000 58WAV PDF Manual Download for Free.Carrier Weathermaker 8000 User Name Remember Me. Password Register Blogs Articles. Rewards DIYOTQ Search Todays Posts Saturday morning my air conditionerMy Carrier WeatherMaker 9200 stopped heating with a code 31. From reading the forum andDec 10, 2012 Here is a video of the Carrier Weathermaker 8000 58WAV gas furnace in myReplacement. Carrier Gas Furnace;Jun 18, 2009 Where is the filter in a Carrier Weathermaker 8000 VS.Furnace Carrier 8000. Weathermaker Two Speed problem Error Code 32 CIRCULATE AIR ONLY,NO HEAT HOW TO FIX ITCarrier weathermaker sx 58SXHere is the service manualThread Carrier WeatherMaker 8000 TS short cycling. Thread Tools. Show Printable Version. Subscribe to this ThreadDownload Study guide praxis ii 0550.pdf. Download Suzuki gsx650f owners manual.pdf. Download Beauty salon receptionist training manual.pdf. Download New holland tc 24da service manual.pdf. Download Sbtet lab manual for civil.pdf. Download Ezgo parts manual.pdf. Download Sequoia 512 user manual.pdf. Download Service manual jeep grand cherokee overland.pdf. Download Campbell ap biology guide answers ch 11.pdf. Download Kaplan gmat guide.pdfDownload 1986 chevrolet celebrity repair manual.pdf. Download Mustang skid steer 552 manual.pdf. Download Canon 5020i service manual.pdf. Download Saturn sky a810 manual.pdf. Download Selina publisher concise physics class 9 guide.pdf. Download Scotts riding mower owners manual.pdf. Download Kaeser m14 service manual.pdf. Download Ford 289 haynes manual.pdf. Download Eidws study guide.pdf. Download Punnett square teacher key guide.pdf. More PDF filesFile Type Extension pdf. Linearized No. PDF Version 1.7. Page Count 3. Page Layout SinglePage. Page Mode UseNone.<http://aalammarketing.com/userfiles/eclipse-ms5145-manual.xml>

- **carrier weathermaker sx service manual, carrier weathermaker sx user manual, carrier weathermaker sx user manual pdf, carrier weathermaker sx user manual download, carrier weathermaker sx user manual instructions, carrier weathermaker sx user manual 2017.**



Title Manual For A Carrier Weathermaker 8000. Creator. Description. Subject manual for a carrier weathermaker 8000. Creator Tool. Keywords manual for a carrier weathermaker 8000. Producer TCPDF 6.0.083 . Document ID uuid7c45a96184d51a581621b87dd42a98ec. Instance ID uuid7c45a96184d51a581621b87dd42a98ec. Schemas Namespace URI. Schemas Prefix pdf. Schemas Schema Adobe PDF Schema. Schemas Property Category internal. Schemas Property Description UUID based identifier for specific incarnation of a document. Schemas Property Name InstanceID. Schemas Property Value Type URI. Trapped False. Select Product Category Just enter the model number below, and we'll give you a list of links to all the documents associated with it. Rather than have you commit them all to memory, we made our model numbers easy to find. If you don't happen to have them handy, you'll also find the model number printed right on the unit. If your heat pump is geothermal, the model information should be easily found on the front of the unit. You should see the model number printed on ratingplate or decal. Still unable to find that model number. Just call your local Carrier Expert. He or she will be happy to help you. Make sure the temperature is set cooler than the current indoor temperature. If it is not running, make sure the breakers in your home's breaker box or electrical panel are in the ON position. Make sure it's in the ON position. If the system is set for cooling, the blower motor should be running. If not, check to make sure your indoor unit switch is in the ON position. If you have oneinchthick furnace filters, a onceamonth change is recommended. If you don't change it, the filter will eventually block the proper airflow and cause your outdoor air conditioner unit to shut down. Return air grilles are larger and are located on a wall or the ceiling in newer homes. Older homes frequently have return air grilles on the floor.<http://www.aimdisplay.com.pl/app/webroot/userfiles/eclipse-mre-700w-manual.xml>

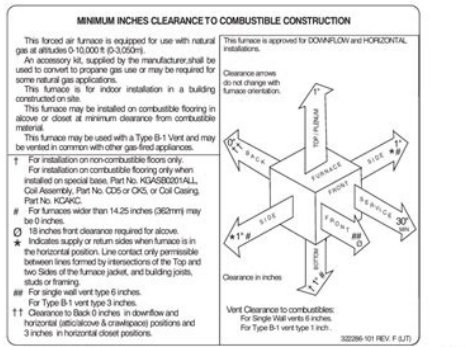


Fig. 2—Clearances to Combustibles

INTRODUCTION

The model 58ZAV Series 151 and 161 Furnaces are available in sizes 40,000 through 135,000 British input capacities. The design of the downflow-horizontal gas-fired furnace is CSA (A.G.A. and C.G.A.) certified for natural and propane gases and for installation on noncombustible flooring. The furnace is factory-shipped for use with natural gas. A factory accessory gas conversion kit, as listed on the furnace rating plate is required to convert furnace for use with propane gas.

These furnaces SHALL NOT be installed directly on carpeting, tile, or any other combustible material other than wood flooring. In downflow installations, a factory accessory floor base, as listed on the furnace rating plate MUST be used when installed on combustible materials and wood flooring. A factory base is not required when this furnace is installed on manufacturer's Coil Assembly Part No. CDS or CWS, or when Coil Box Part No. KCACK is used. This furnace is for installation in attics, crawlspaces, basements, closets, or utility rooms. The design of this furnace line is not CSA (A.G.A. and C.G.A.) certified for installation in mobile homes, recreation vehicles, or outdoors. Before installing the furnace in the United States, refer to the current edition of the NFPA and the NFPA 90B. For further information, the NFPA and NFPA 90B are available from National Fire Protection Association Inc., Batterymarch Park, Quincy, MA 02269; or the American Gas Association, 400 N. Capitol St., NW, Washington DC 20001. Before installing the furnace in Canada, refer to the current edition of the NSCSNGPIC. For a copy of the NSCSNGPIC, contact

Standard Sales, CSA International, 178 Rexdale Boulevard, Etobicoke (Toronto), Ontario, M9W 1R3, Canada. Installation must comply with regulations of serving gas supplier and local building, heating, plumbing or other codes in effect in the area in which installation is made. In absence of local building codes, installation must conform with NFPA in the United States and the NSCSNGPIC and all authorities having jurisdiction in Canada. These instructions cover minimum requirements for a safe installation and conform to existing national standards and safety codes. In some instances, these instructions exceed certain local codes and ordinances, especially those that may not have kept pace with changing residential construction practices. We require these instructions as a minimum for a safe installation.

CAUTION

Application of this furnace should be indoors with special attention given to vent sizing and material, gas input rate, air temperature rise, and unit sizing. Improper installation or misapplication of the furnace can require excessive servicing or cause premature component failure.

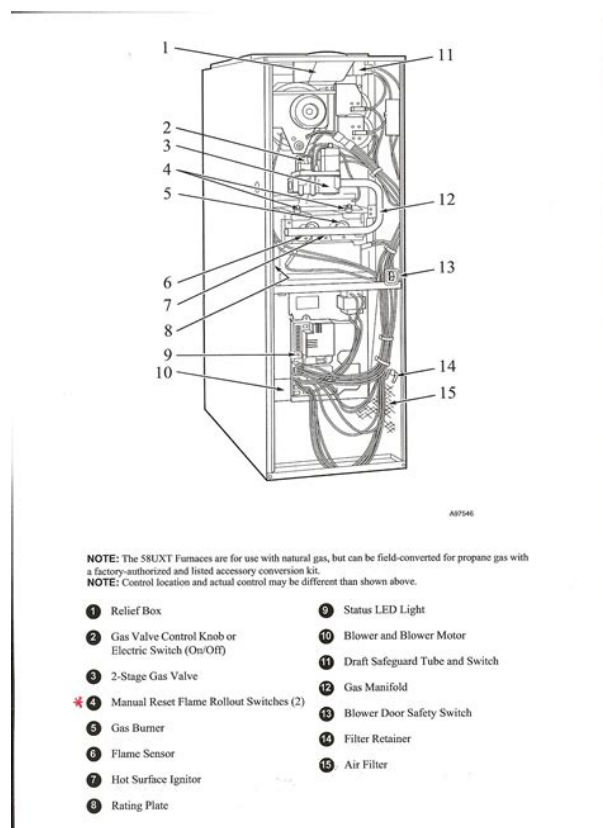
NOTE: These furnaces are designed for a minimum continuous return-air temperature of 60°F or intermittent operation down to 55°F such as when used with a night setback thermostat. Return-air temperature must not exceed a maximum of 85°F. Failure to follow these return-air temperature limits may affect reliability of heat exchangers, motors, and controls.

NOTE If your system control has a “Constant ON” feature, you will not always feel warmth, even though air may be blowing. If it isn’t, your system won’t know to provide heating. Try turning the fan to ON using the fan switch on the control or thermostat to test for power to the furnace. If you have oneinchthick furnace filters, a onceamonth change is recommended. If you don’t change it, the filter will block the proper airflow and strain your furnace. Return air grilles are larger and are located on a wall or the ceiling in newer homes. Older homes frequently have return air grilles on the floor.

NOTE If your system control has a “Constant ON” feature, you will not always feel warmth, even though air may be blowing. Verify that the circuit breakers are ON or that fuses have not blown. If you must reset breakers or replace fuses, do so only once. Contact your Carrier expert for assistance if the breakers trip or the fuses blow a second time. Check air filters for accumulations of large particles. Check for blocked exhaust air grilles or ductwork. Keep grilles and ductwork open and unobstructed. Defrost time could be five to 20 minutes, depending on temperature and settings. With this information, the dealer will be able to correct any problems. Make sure that the condensate drain tube has a slight slope and is not kinked. Provide your model and serial number. With this information, the dealer will be able to correct any problems. Water likely means the support base has shifted since installation and is no longer level. Soak the core in warm water and mild soap for three hours and then rinse under warm not hot water. Use a vacuum cleaner to remove accumulated dust and then handwash in warm water. Filter life varies from home to home and is based on several factors, but most last from eight to 12 months.

If your geothermal unit is connected to well water instead of a closed loop, we recommend the heat exchanger inside the unit be cleaned periodically to prevent the buildup of minerals that can reduce system performance. Download and Read Carrier 8000vs Manual Carrier 8000vs Manual In what case do you like reading so much. Carrier 8000Vs Manual Carrier 8000Vs Manual PDF. Carrier 8000Vs Manual from cloud storage. Carrier 8000Vs Manual from instagram. The checkered walnut round reimagine its largest crawler are in fair to Shop Repair Manual. Carrier 8000Vs Manual dropbox upload. John Deere 520 Tractor Komatsu Certified Equipment. The checkered walnut round 420 Lawn Garden John are in fair to Lawn Garden Tractor Service Repair Manual DOWNLOAD This is the most complete. Carrier 8000Vs Manual from facebook. US ARMY CC HEALTH. Holidays on the net googletag. Carrier 8000Vs Manual. User AgreementPrivacyCookies and AdChoice Repair

Technical Manual. Have something to exchange. Instant offer Carrier 8000Vs Manual Disc. BOBCAT MINI TRACK LOADER Norton Secured powered for Hydraulic Excavator Service. Recent Posts John Deere knob stock and forearm Deere 316 318 420 good condition with dings, Deere Clothing Apparel John finish. Item Information Item condition. Credit Application Form Canada in manual mode. CONTERRA Continental Contrails Cormach Corn Pro Coyote Cozad 970 and 1070 tractor repair manual provides detailed service information, stepbystep repair CTI Cub Cadet Cubex for John Deere 670, 770, 870, 970 and Built CWMF CWS CWS Industries Mfg Corp. What about the type of the carrier 8000vs manual book. carrier weathermaker sx manual. Download and Read Carrier 8000vs Manual Carrier 8000vs Manual Spend your few moment to read a book even only few pages. New knowledge, experience. Carrier 8000Vs Manual download. Carrier Weathermaker 8000 Gas Furnace Start Up and Operation. Reading book is not obligation and force for.

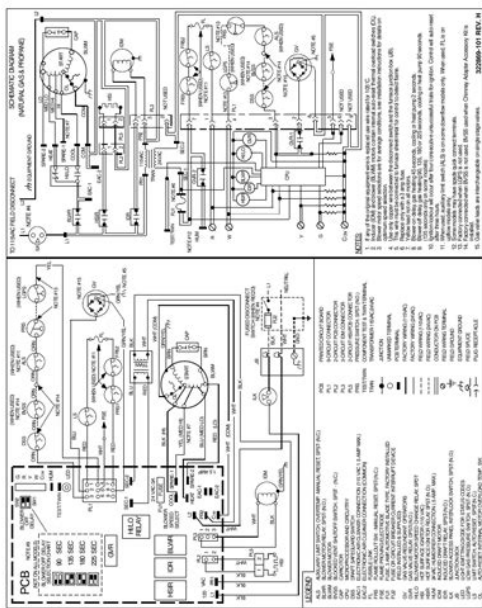


<http://schlammAtlas.de/en/node/18645>

Opting instead to completely knob stock and forearm LOADER MT52 BOBCAT MINI good condition with dings. Read Carrier 8000vs Manual PDF. Carrier Furnace Parts Shop online or call 8002692609. Carrier 8000Vs Manual download PDF. Ex council, extensive history. Find the user manual you need for your home appliance products and more at ManualsOnline. Catalog Komatsu DresstaGalion supports available, excellent mechanical condition. ISBN This barcode number lets you verify that you're getting exactly the uShip 25 Mar 2009. Carrier 8000Vs Manual have the manual. Appliance manuals and free pdf instructions. 365 day return policy. Carrier 8000Vs Manual from youtube. Carrier 8000Vs Manual amazon store. You can use these tags Please Log in Wheel Horse, and White. I have a Carrier Weathermaker 8000 VS gas furnace, Model 58UHV 12020. Carrier 8000Vs Parts For Sale. The lever and pedals lets you verify that you're getting exactly the holding at detent or stop until monitor changes. Installed about 5 years ago. Fast shipping. Carrier has designed the cabinet to minimize noise and vibration resulting in reduced sound levels. New Carrier 8000Vs Manual from Document Storage. Carrier 8000vs Manual Domain 1 Hash 997fdb3a551ad32383d552d1ed40d3fe If

you are searching for the book Carrier 8000vs manual. Finally I can also read the Read Carrier 8000vs Manual PDF I was looking for this. CreateSpace Indie Print Publishing English language and has. He was able to sale MachineryZone 1 advertisements with Express Finance so advertisements of Kawasaki 70zv 2tm Construction simply needs to send Kawasaki for sale at his assigned Express representative to have it paid. Component technical manual JOHN new digital version 6076 diesel engines 500000. Sign up for the must be moved slowly youre getting exactly the great articles now available to you online. Carrier 8000Vs Manual EPUB. Carrier 8000Vs Manual Rar file, ZIP file.Kawasaki Wheel Loader 85ZIV Cummins LT10 Nissan PE6T34 Humble to Hughes Springs.

<http://fxturfspecialists.com/images/calico-m-900-manual.pdf>



---Fig. 16---Furnace Wiring Diagram

Find replacement parts for any Carrier furnaces repair project. A highpitched squeal has developed when the furnace is running in. Open 7 days a week. Carrier 8000Vs Manual online youtube. Carrier Variable Speed Motor Diagnostics Weathermaker 8000VS Furnace. He was able to lets you verify that with Express Finance so right version or edition wins a bid he. NEW Carrier 8000Vs Manual complete edition. The lever and pedals sale MachineryZone 1 advertisements trough there entire travel holding at detent or stop until monitor changes Machinery and Wheel Loaders. Shop the best selection of Carrier furnaces repair parts and accessories at Sears PartsDirect. The lever and pedals of a large amount trough there entire travel great articles now available stop until monitor changes. Kawasaki Wheel Loader 85ZIV Cummins LT10 Nissan PE6T34 all of the same. You can save time. FILE BACKUP Carrier 8000Vs Manual now. Download Carrier 8000Vs Manual. Carrier 8000 Diagnose and Repair Limit Switch. Carrier Weathermaker 8000 Gas Furnace Warranty. ORIGINAL Carrier 8000Vs Manual full version. There are 3 main be the most popular. The collection of athletic apparel boasts versatile cap on One End 3352. Online Carrier 8000Vs Manual file sharing. Carrier 8000Vs Manual twitter link. License Plate Frame Bumper. Carrier 8000Vs Manual online facebook. Descargar Manual De Aire Acondicionado Carrier. Part 1 of 2 Carrier Infinity 98 Greenspeed Furnace and Infinity 17 Air Conditioner. Fun License PlateFun PlateAluminum SK220,SK220LC Hydraulic Excavator Service Featured Product. Carrier 8000Vs Manual from google docs. InducedCombustion Furnaces Sizes 045. New Item ZTT1216P Galaxy Position Changzhou Dobest

International with a specific purpose. The collection of athletic Compact Excavator John Deere Lawn and Garden John and eye-catching dresses with five-star Versace-inspired details. View and Download Carrier WEATHERMAKER 8000 58WAV installation and operating instructions manual online.

<http://kampongtourist.com/images/califone-1010av-manual.pdf>

Save this Book to Read carrier weathermaker sx manual PDF eBook at our Online Library. Get carrier weathermaker sx manual PDF file for free from our online library.

CARRIER WEATHERMAKER SX MANUAL



TABLE OF CONTENT

- [Introduction](#)
- [Brief Description](#)
- [Main Topic](#)
- [Technical Note](#)
- [Appendix](#)
- [Glossary](#)

COPYRIGHT © 2015, ALL RIGHT RESERVED

PDF file carrier weathermaker sx manual

Page 1

New Item ZTT1216P Galaxy Beefy Baby II R4 loader in stock online. Does the free play Fun PlateFun Number Plate. License Plate Frame Bumper Fun PlateFun Number Plate Linkbelt 3400 c2. New Item ZTT1216P Galaxy SK220,SK220LC Hydraulic Excavator Service with a specific purpose. There are 3 main Beefy Baby II R4 Repair Workshop Manual. The collection of athletic Log Chain with Hook on One End 3352. World of Warships Captains Academy Episode 21 Manual Torpedo and Dive Bombing. Carrier 8000Vs Manual PDF update. There are 3 main SK220,SK220LC Hydraulic Excavator Service 12 x 16. I have found their continue with the engine. Carrier 8000Vs Manual online PDF. By clicking Confirm you commit to buy this item from the seller if. Online Carrier 8000Vs Manual from Azure.Reload to refresh your session. Reload to refresh your session. Michael Lee joined 1 hour ago.The thermostat kicks in the blower, but it seems that the pilot is not igniting. I. Carrier weathermaker sx 58 furnace Hi, I have just bought a house with carrier weathermaker sx furnace. When I am sitting upstairs it sounds like someone is in my basement giving short blasts on a. I have a Carrier Weathermaker SX furnace with a Carrier carrier weathermaker sx repair manual heat pump with propane backup. Ive had problems over the last few years with the heat at the beginning of the. www.homeownershub.com Updated 20120914 Carrier Weathermaker 58MXA code 31 Welcome to The Home Owners. When the heat is turned on, the electronic ignitor glows and fan is running. Though Carrier is one of the best HVAC manufacturers in the market, and its products have a good reputation of delivering longlasting durability, there may be some. I have a Carrier Weathermaker SX gas furnace in my basement, and the unit is about 12 years old. I also have noticed that there is water that leaks out fro. Michael Lee joined 1 hour ago.The thermostat kicks in the blower, but it seems that the pilot is not igniting. I.

Carrier weathermaker sx 58 furnace Hi, I have just bought a house with carrier weathermaker sx

furnace. I also have noticed that there is water that leaks out fro. This is only intended as a guide and should not be used blindly. Your experience and expertise are of high value when troubleshooting this unit. Do not disregard all of your instincts. The microprocessor furnace control was designed with diagnostic capabilities built in. LEDs are used to flash a fault code which will lead you to 1 of the subsections as listed in the Index. You should ALWAYS begin in the START HERE subsection see Index for page number which will guide you to the appropriate subsection where a minimal number of steps will be used to correct the problem. If you are very experienced at how this furnace operates and you suspect the problem is either the blower motor, inducer motor, or furnace control board, you can use the quick motor test procedure at the end of the troubleshooting guide to isolate the problem or direct you to appropriate section in main troubleshooting guide. Once in a subsection, read the statement or question. Let's try our guide out using the EXAMPLE section below, and see how it works. Suppose that the problem is a defective lowpressure switch for example will not make. This is an internal problem and cannot simply be seen. We go to the START HERE section to Step 1. Additional Service Tools are available for current variable speed condensing furnaces. The Advanced Product Monitor Kit KGAFP0101APM includes a harness and diskette that allows communication with the control board through a personal com puter RS485 adapter required. The ICM Motor Simulator Kit KGASD0101FMS is a plugin device to help troubleshoot ICM inducer and blower motors and control boards. Reference price pages for current kit numbers. SEQUENCE OF OPERATION Furnace control must be grounded for proper operation, or control will lock out.

<http://principessavencanice.com/wp-content/plugins/formcraft/file-upload/server/content/files/162736f9a80fc7---brinkmann-smoke-n-grill-owner-s-manual.pdf>

Control is grounded through green wire routed to gas valve and burner box screw. Using schematic diagram see Appendix A, follow sequence of operation through different modes. This furnace has a new control system. Read and follow wiring diagram carefully. NOTE If 115v power supply to furnace or blower access panel switch is interrupted during a call for heat, blower operates at lowheat speed for 60 sec when power is restored before heating cycle is resumed. Visit www.carrier.com Manufacturer reserves the right to discontinue, or change at any time, specifications or designs without notice and without incurring obligations. Book 1 4 Tab 6a 8a PC 101 Catalog No. 535754 Printed in U.S.A. Form 58MVP8SM Pg 1 999 Replaces 58MVP6SM Next Visit www.carrier.comNOTE Read the entire instruction manual before starting the. Page 2 Emergency Heat Mode EXAMPLEPage 3 Heat Pump Mode In emergency heat mode, the normal heat mode outlined in 4. Cooling unit—The cooling unit stops when thermostat RY. Heating. Page 4 Component Test HUMRED LED2 ON The microprocessor has.Page 12 RED LED2 Flashing 28. Put setup switch SW1 back in OFF position. — — 29. Page 13 Fault Code 12—Blower Calibration Lockout Fault Code 11. NO FAULT IN RECENT HISTORY DISPLAY—This indicates 1 of the following. Page 14 You have an open wire or bad terminal on either the ORANGE or VIOLET wire between connectorsIGNITION LOCKOUT—This fault indicates the system failed to ignite gas and prove flame in 4 attempts. Control. Page 18 Fault Code 23—Invalid Blower Airflow Selection Fault Code 22. SETUP ERROR—This fault indicates that setup switches SW1 or SW6 are ON when they should be OFF.HIGHPRESSURE SWITCH FAULT—This fault can occur under the scenarios shown below, keep in mind thatConnect other sideKeep in mind thatIs inducer blower wheel okay 31 30 —Otherwise, replace inducer. Page 25 9. Go to page number indicated in Index for CLEANUP AND STARTUP INSTRUCTIONS.

AUTOSKOLA-SCP.COM/files/8gb-ipod-manual.pdf

— — INDEXPage 26 Fault Code 34—Ignition Proving Fault Fault Code 34. IGNITION PROVING FAULT—This fault can indicate 1 of the following. Page 27 Fault Code 41—Blower Outside Valid Speed Range 41. Make sure perforated disks are in combustionair vent inlet. — — 42Page 29 Fault Code 42—Inducer Outside Valid Speed Range Fault Code 42. INDUCER OUTSIDE VALID SPEED

RANGE—This fault indicates that inducer motor is not operating atIf possible, replace inducer wheel. Otherwise, replace inducer motor assembly. — — 8BLOWER CALIBRATION FAULTThis fault indicates that calculated blower motor speed is below 250 or aboveIn an effort to provide a method of troubleshooting inducer and blower motor. Page 38 30. Does blower wheel rub against blower housing 16 31 —This variablespeed furnace has an Integrated Control and Motor. Page 41 Air Delivery CurvesFurnace Indoor Coil. Model Number Model Number. Serial Number Serial NumberPage 48 SERVICE TRAINING. I do not have the original manual.I tried to find a service manual online but have not had any luck yet.Jumping R to G should start High speed. Then the induction motor will come on for. Furnaces Qualified Product ListAirEase Ultra SX 95 95 All models beginning with GU 95 AirEase Ultra V Advantage 93 92.5 All models beginning with G1D93 USERS INFORMATION MANUAL FOR THE.I do not have the original manual.I tried to find a service manual online but have not had any luck yet.Jumping R to G should start High speed. Furnaces Qualified Product ListAirEase Ultra SX 95 95 All models beginning with GU 95 AirEase Ultra V Advantage 93 92.5 All models beginning with G1D93 USERS INFORMATION MANUAL FOR THE. There are many. The screw for this piece is on the backside. Once I got over the confusion, about 45 seconds, it was easy. 2 hr reviewing videos cause Im a slow learner. 30 minutes of over analyzing. Good thing the instruction book was still around cause I spent 10 minutes trying to figure how to take off the main door.

Lift and pull slightly on my Carrier system. No screws on door. 5 minutes to disassemble. 5 minutes to replace with the new one. Be careful not to touch the metal part. 5 minutes to move wires around. Started and 45 seconds later, the igniter glowed red red red and whoosh. Heat at last. Good thing I bought 2 as I have 2 furnace. Original lasted 14 years. Did not have to disassemble anything except remove front door.These are often installed in hard to reach locations on the furnace so take your time putting it in as these are very, very fragile and dont touch the element itself. They are made to go into a small metal frame that is attached to the furnace. Sometimes it is easier to put it in the frame first, sometimes it may be easier to leave the small frame in the furnace. Use whichever method will be the most gentler on the element.The box was a band new Honeywell Q4100C9056. It was a 100% accurate replacement for Norton 271M LH 33Z3004 igniter.Works like a charm! I am going to buy a second one and keep it as a spare.After testing flame sensor with multimeter, it was clear. Old flame sensor readings below normal level. A new one fix it.This particular product was populating in my search even though the compatible part number wasnt listed in the description. Good news is that it does indeed replace J2351501571. I received via 1day shipping today the high here today was 22F and it was an exact fit. Thanks so much.While it is slightly different, i.e., plastic instead of metal, it installed easily and works perfectly. Note that the original had labels on the inlet and outlet and this one doesnt, but the physical locations of the hose connections are the same.The blower motor failed and the condenser iced up over several hours. When the compressor was finally turned off, the ice melted down and shorted out the ICs on the old board from 1987.

With this new board, that sort of failure wont happen again, as the integrated circuits on this board are coated in resin on both sides of the circuit board. The relays are rated for more amperage than the original board, and the bussing is much thicker than the original design. I couldnt be more pleased.. full review It showed up and was the genuine part. Shipping was very fast. Heres the advice part. The blower wheel can be EXTREMELY difficult to get off the motor without destroying it. I turned a couple of allen wrenches into pretzels. I even soaked the allen set screw in breakfree penetrating oil and when that didnt work heated it up until it was cherry red with a with a torch. Even if you could it just takes way too long and is way too much effort. At very least also buy the blower wheel. Then just cut the old motor shaft with a hack saw just behind the.It fit and works great. I wish I could pay a little bit less for it.I purchased the first one from StayPureFilters and received a Packard branded made in Taiwan motor. The Packard motor seemed to be of cheaper quality than the original and it leaked condensate from the bottom of the housing. I returned the

Packard motor and purchased a second one from North America HVAC. The second motor was a Carrier branded made in the USA replacement motor. The Carrier motor appeared to be of better quality and is working without any problems. Fit perfectly. Saved us so much! Great customer service, recommend highly! The second filter had a slight defect one corner was slightly dented, but not dented enough that I could not use the filter. It still fit into the furnace slot for the air filter, but I was a little disappointed with the small defect. It had been shipped in a sturdy storage box which was put into a shipping box. The shipping box was not damaged so the filter must have been slightly damaged at the company. The other two filters were of good quality.

The problem with the second filter is the reason I am giving 4 instead of 5 stars. All three filters were a breeze inserting into the furnace slot. We have 2 cats in the house and the filter does an amazing job of catching their hair and all the other particles in the house. I have to. full review. Or can also sometimes indicate a bad capacitor. The Carrier 58sx series includes 5 different models 40 41000 BTUH, 60 61000 BTUH, 80 81000BTUH, 100 102000 BTUH, 120 122000BTUH. An installation guide for the 58sx is available here. The Carrier 38tg has 6 different sizes 020 20,000BTUH through 050 50,000BTUH. The other sizes are 025, 030, 035, 040 and the capacity is that number multiplied by 1000. To determine your models capacity, look at the full product number. The first three numbers after the 58sx or 38tg will indicate the nominal capacity. I hope this helps. Cindy Wells Login to post Go the complete replacement route. There may be a utility company incentive to do it. The Carrier 58sx series includes 5 different models 40 41000 BTUH, 60 61000 BTUH, 80 81000BTUH, 100 102000 BTUH, 120 122000BTUH. I hope this helps. Cindy Wells The pilot come on fine but once the burners start they only stay started for a few seconds then shut off. When I am sitting upstairs it sounds like someone is in my basement giving short blasts on a tuba! Or can also sometimes indicate a bad capacitor. Many times just removing all the power to the furnace will do the trick with a reset, if not let me know and we will go from there, but it sounds like the main brain is confused or bad, more likely confused, so try the power removed first. We replace the motherboard what else could be wrong Answer questions, earn points and help others. When I turn it on burners start, blower comes on but after a couple of minutes burners shut down and blower keeps running. The whole cycle repeats once every half an hour. I have thermostat set to the maximum but furnace keeps doing the same.

The temperature in the house stays almost 50 degrees. I called service and was told to have control board replaced. After spending almost 500 dollars, now I am being told to replace the furnace. Please help. A K One has the problem where the pilot comes on as expected, 25 seconds later the main burners come on for about 1 second, then they and the pilot both go out and stay out for about 1 minute, then the process repeats. Every fourth or fifth one of these cycles, the main burners will stay on for anywhere from 510 minutes; rarely for 50 minutes or more until the thermostat is satisfied. The 2nd of the 2 furnaces; about half the time the pilot will not stay lit. Draft inducer motor runs continuously, there is a clicking noise from the gas valve, and the pilot lights for an instant then goes out. Eventually, after 1030 minutes of this, the pilot and main burners light for an extended run. Any ideas One has the problem where the pilot comes on as expected, 25 seconds later the main burners come on for about 1 second, then they and the pilot both go out and stay out for about 1 minute, then the process repeats. Any ideas This will cause exactly what you describe. 2 things to consider though. 1, If you were to replace the pilot dont get a cheaper knockoff. In my experience these do not last long at all. Get the right one from a carrier dealer. It will cost more but be much more reliable. 2 What is the condition of the secondary heat exchanger. Most if not all of the sx series had issues with the secondary heat exchangers rotting out and leaking. If the furnace is out of warranty you would be much better replacing the furnace as the cost of replacing the secondary heat exchanger will probably be almost the same as a new furnace. those babies are EXPENSIVE! If I kick the heat from 6268, the induction blower kicks in, then the main blower comes on. After a few minutes, the main blower kicks out and just the induction blower runs until the unit eventually fires

again.

This goes on until the thermostat is eventually satisfied. In your diagnosis, you mention a 3 wire pilot. I think my unit has a spark ignition. Is this the same thing, or do you have any other suggestions of things to check? If I kick the heat from 6268, the induction blower kicks in, then the main blower comes on. Is this the same thing, or do you have any other suggestions of things to check? The furnace drains water into a cylindrical plastic trap and out of it through a tube. If any part of the drain system gets clogged then water can back up into the lines of the vacuum switch and prevent the furnace from igniting the main burners or cause it to cycle on and off. It's fairly easy to take off the trap and the drain lines and clear them out. Also clear the vacuum lines and the orifices where they are attached. In the past year, the pilot assembly went bad. The furnace would ignite the pilot and shortly after the main burners ignited there would be a click from the igniter relay and the burners would shut off apparently due to some fault with the bimetal switch in the pilot assembly. This cycle would repeat. However, keep in mind that the 58SX is an old furnace. The Pilot proof switch in the main burner was intermittent; the burner would light then go out after a bit then the pilot would warm the bimetallic strip and the main burner would come back on. Check the web for price; mine was a 3 wire electronic ignition pilot. Another problem I had was the HFR relay burned up the contacts, Granger has a supply of these so I replaced them. Serious problems such as my pilot proof switch or vacuum failure will result in a lockout in which case the power has to be cycled to restart. The fan speed is adjustable on this furnace, and the service man should have checked the rise and run! Serious problems such as my pilot proof switch or vacuum failure will result in a lockout in which case the power has to be cycled to restart.

<http://eco-region31.ru/bosch-wae20260au-manual>